

## PrevaLED Cube AC G4

Spot-, Down- and Wallmount Light Engines and Modules



### Product family features

- Mains voltage driven LED engine
- Integrated control gear
- Diameter of light emitting surface: 61 mm
- Common mechanic and photometric interfaces
- Initial color consistency: < 3 SDCM
- Lifetime (L70/B50): 50,000 h (temperature at  $T_c = 70\text{ °C}$ )
- LED module is reinforced isolated to mounting surface
- Photobiological safety according to IEC/TR 62778, risk group RG1

### Product family benefits

- Enables low-cost and compact luminaire designs
- Low profile
- Future-proof dimensions for reliable designs
- Near Lambertian light distribution at  $110^\circ$  beam angle for high quality of light
- Protection against overheating due to thermal derating
- 5 year guarantee

### Areas of application

- Suitable for diffuser and reflector luminaires
- Hospitality, hotels, restaurants
- Public and commercial buildings
- Offices
- Secondary rooms, garages, storerooms, cellars



## Product family datasheet

### Technical data

| Product description     | Electrical data |                     |                 |                                    |               |
|-------------------------|-----------------|---------------------|-----------------|------------------------------------|---------------|
|                         | Nominal voltage | Input voltage range | Type of current | Displacement factor (cos $\phi$ 1) | On-mode power |
| PL-CUBE-AC -G4-1100-830 | 230 V           | 220...240 V         | AC              | 0.98                               | 10.50 W       |
| PL-CUBE-AC -G4-1100-840 | 230 V           | 220...240 V         | AC              | 0.98                               | 10.50 W       |
| PL-CUBE-AC -G4-2000-830 | 230 V           | 220...240 V         | AC              | 0.98                               | 19.50 W       |
| PL-CUBE-AC -G4-2000-840 | 230 V           | 220...240 V         | AC              | 0.98                               | 19.50 W       |
| PL-CUBE-AC -G4-3000-830 | 230 V           | 220...240 V         | AC              | 0.98                               | 28.50 W       |
| PL-CUBE-AC -G4-3000-840 | 230 V           | 220...240 V         | AC              | 0.98                               | 30.10 W       |

| Product description     | Energy consumption in on-mode | Output SVM | Output PSTLM | Photometrical data |                                      |
|-------------------------|-------------------------------|------------|--------------|--------------------|--------------------------------------|
|                         |                               |            |              | Luminous efficacy  | Colour consistency (McAdam ellipses) |
| PL-CUBE-AC -G4-1100-830 | 10.5 kWh/1000h                | $\leq 0.9$ | $\leq 1$     | 111 lm/W           | 3                                    |
| PL-CUBE-AC -G4-1100-840 | 10.5 kWh/1000h                | $\leq 0.9$ | $\leq 1$     | 115 lm/W           | 3                                    |
| PL-CUBE-AC -G4-2000-830 | 19.5 kWh/1000h                | $\leq 0.9$ | $\leq 1$     | 107 lm/W           | 3                                    |
| PL-CUBE-AC -G4-2000-840 | 19.5 kWh/1000h                | $\leq 0.9$ | $\leq 1$     | 112 lm/W           | 3                                    |
| PL-CUBE-AC -G4-3000-830 | 28.5 kWh/1000h                | $\leq 0.9$ | $\leq 1$     | 109 lm/W           | 3                                    |
| PL-CUBE-AC -G4-3000-840 | 30.1 kWh/1000h                | $\leq 0.9$ | $\leq 1$     | 114 lm/W           | 3                                    |

| Product description     | Peak luminous intensity | Correlated color temperature CCT | Color rendering index Ra | Useful luminous flux ( $\Phi_{use}$ ) | Light technical data |
|-------------------------|-------------------------|----------------------------------|--------------------------|---------------------------------------|----------------------|
|                         |                         |                                  |                          |                                       | Starting time        |
| PL-CUBE-AC -G4-1100-830 | 423                     | 3000 K                           | 80                       | 917 lm <sub>1)</sub>                  | < 0.1 s              |
| PL-CUBE-AC -G4-1100-840 | 423                     | 3900 K                           | 80                       | 964 lm <sub>1)</sub>                  | < 0.1 s              |
| PL-CUBE-AC -G4-2000-830 | 755                     | 3000 K                           | 80                       | 1635 lm <sub>1)</sub>                 | < 0.1 s              |
| PL-CUBE-AC -G4-2000-840 | 755                     | 3900 K                           | 80                       | 1750 lm <sub>1)</sub>                 | < 0.1 s              |
| PL-CUBE-AC -G4-3000-830 | 1124                    | 3000 K                           | 80                       | 2460 lm <sub>1)</sub>                 | < 0.1 s              |
| PL-CUBE-AC -G4-3000-840 | 1124                    | 3900 K                           | 80                       | 2604 lm <sub>1)</sub>                 | < 0.1 s              |

| Product description     | Warm-up time (60 %) | Beam angle | Dimensions & weight |         |         |
|-------------------------|---------------------|------------|---------------------|---------|---------|
|                         |                     |            | Product weight      | Width   | Length  |
| PL-CUBE-AC -G4-1100-830 | < 2.00 s            | 110 °      | 60.00 g             | 82.0 mm | 83.0 mm |
| PL-CUBE-AC -G4-1100-840 | < 2.00 s            | 110 °      | 60.00 g             | 82.0 mm | 83.0 mm |

## Product family datasheet

| Product description     | Warm-up time (60 %) | Beam angle | Dimensions & weight |         |         |
|-------------------------|---------------------|------------|---------------------|---------|---------|
|                         |                     |            | Product weight      | Width   | Length  |
| PL-CUBE-AC -G4-2000-830 | < 2.00 s            | 110 °      | 60.00 g             | 82.0 mm | 83.0 mm |
| PL-CUBE-AC -G4-2000-840 | < 2.00 s            | 110 °      | 60.00 g             | 82.0 mm | 83.0 mm |
| PL-CUBE-AC -G4-3000-830 | < 2.00 s            | 110 °      | 60.00 g             | 82.0 mm | 83.0 mm |
| PL-CUBE-AC -G4-3000-840 | < 2.00 s            | 110 °      | 60.00 g             | 82.0 mm | 83.0 mm |

| Product description     | Height  | Temperatures & operating conditions |                                      |                            |
|-------------------------|---------|-------------------------------------|--------------------------------------|----------------------------|
|                         |         | Performance temp. acc. to IEC 62717 | Maximum temperature at tc test point | Ambient temperature range  |
| PL-CUBE-AC -G4-1100-830 | 21.0 mm | 70 °C                               | 90 °C                                | -20...+50 °C <sup>2)</sup> |
| PL-CUBE-AC -G4-1100-840 | 21.0 mm | 70 °C                               | 90 °C                                | -20...+50 °C <sup>2)</sup> |
| PL-CUBE-AC -G4-2000-830 | 21.0 mm | 70 °C                               | 90 °C                                | -20...+50 °C <sup>2)</sup> |
| PL-CUBE-AC -G4-2000-840 | 21.0 mm | 70 °C                               | 90 °C                                | -20...+50 °C <sup>2)</sup> |
| PL-CUBE-AC -G4-3000-830 | 21.0 mm | 70 °C                               | 90 °C                                | -20...+50 °C <sup>2)</sup> |
| PL-CUBE-AC -G4-3000-840 | 21.0 mm | 70 °C                               | 90 °C                                | -20...+50 °C <sup>2)</sup> |

| Product description     | Temperature range at storage | Lifespan                   |                 |                              |
|-------------------------|------------------------------|----------------------------|-----------------|------------------------------|
|                         |                              | Number of switching cycles | L70B50 lifetime | Lumen maintenance factor LMF |
| PL-CUBE-AC -G4-1100-830 | -20...85 °C                  | 100000                     | 50000 h         | 96                           |
| PL-CUBE-AC -G4-1100-840 | -20...85 °C                  | 100000                     | 50000 h         | 96                           |
| PL-CUBE-AC -G4-2000-830 | -20...85 °C                  | 100000                     | 50000 h         | 96                           |
| PL-CUBE-AC -G4-2000-840 | -20...85 °C                  | 100000                     | 50000 h         | 96                           |
| PL-CUBE-AC -G4-3000-830 | -20...85 °C                  | 100000                     | 50000 h         | 96                           |
| PL-CUBE-AC -G4-3000-840 | -20...85 °C                  | 100000                     | 50000 h         | 96                           |

| Product description     | Additional product data |                          |                 | Capabilities |
|-------------------------|-------------------------|--------------------------|-----------------|--------------|
|                         | Maximum thermal load    | Lighting technology used | Predecessor EAN | Dimmable     |
| PL-CUBE-AC -G4-1100-830 | 8.4 W                   | LED                      | 4052899952690   | No           |
| PL-CUBE-AC -G4-1100-840 | 8.2 W                   | LED                      | 4052899952706   | No           |
| PL-CUBE-AC -G4-2000-830 | 15.8 W                  | LED                      | 4052899952713   | No           |
| PL-CUBE-AC -G4-2000-840 | 15.4 W                  | LED                      | 4052899952720   | No           |
| PL-CUBE-AC -G4-3000-830 | 22.9 W                  | LED                      | 4052899952737   | No           |
| PL-CUBE-AC -G4-3000-840 | 22.4 W                  | LED                      | 4052899952744   | No           |

| Product description     | Certificates & standards |                         | Logistical data |
|-------------------------|--------------------------|-------------------------|-----------------|
|                         | Standards                | Energy efficiency class | Commodity code  |
| PL-CUBE-AC -G4-1100-830 | CE/ENEC                  | F                       | 85395100000     |
| PL-CUBE-AC -G4-1100-840 | CE/ENEC                  | F                       | 85395100000     |
| PL-CUBE-AC -G4-2000-830 | CE/ENEC                  | F                       | 85395100000     |
| PL-CUBE-AC -G4-2000-840 | CE/ENEC                  | F                       | 85395100000     |
| PL-CUBE-AC -G4-3000-830 | CE/ENEC                  | F                       | 85395100000     |
| PL-CUBE-AC -G4-3000-840 | CE/ENEC                  | F                       | 85395100000     |

## Product family datasheet

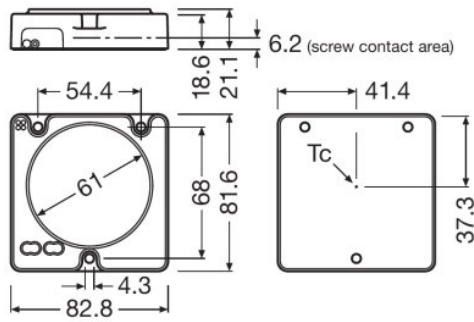
| Product description     | Environmental information   |                            |                            |                        |
|-------------------------|---|----------------------------|----------------------------|------------------------|
|                         | Information according Art. 33 of EU Regulation (EC) 1907/2006 (REACH) |                            |                            |                        |
| Product description     | Date of Declaration   | Primary Article Identifier | Candidate List Substance 1 | CAS No. of substance 1 |
| PL-CUBE-AC -G4-1100-830 | 21-07-2023  | 4062172239455              | Lead                       | 7439-92-1              |
| PL-CUBE-AC -G4-1100-840 | 21-07-2023  | 4062172239479              | Lead                       | 7439-92-1              |
| PL-CUBE-AC -G4-2000-830 | 21-07-2023  | 4062172239493              | Lead                       | 7439-92-1              |
| PL-CUBE-AC -G4-2000-840 | 21-07-2023  | 4062172239516              | Lead                       | 7439-92-1              |
| PL-CUBE-AC -G4-3000-830 | 21-07-2023  | 4062172239530              | Lead                       | 7439-92-1              |
| PL-CUBE-AC -G4-3000-840 | 21-07-2023  | 4062172239554              | Lead                       | 7439-92-1              |

| Product description     | Safe Use Instruction   | Declaration No. in SCIP database     |
|-------------------------|--|--------------------------------------|
| PL-CUBE-AC -G4-1100-830 | The identification of the Candidate List substance is sufficient to allow safe use of the article. | 47d6ce5e-a16c-46e1-b146-8be4524aacf1 |
| PL-CUBE-AC -G4-1100-840 | The identification of the Candidate List substance is sufficient to allow safe use of the article. | aeb8ea14-82f1-4151-8f9c-d0f6a7382f6a |
| PL-CUBE-AC -G4-2000-830 | The identification of the Candidate List substance is sufficient to allow safe use of the article. | 326874f6-b3fe-4d82-8e6f-c9d0dd342074 |
| PL-CUBE-AC -G4-2000-840 | The identification of the Candidate List substance is sufficient to allow safe use of the article. | 23cbf59e-abd8-45de-9b92-fc461b63dcd9 |
| PL-CUBE-AC -G4-3000-830 | The identification of the Candidate List substance is sufficient to allow safe use of the article. | 41038bb8-b9da-409a-a6af-f740ecc14398 |
| PL-CUBE-AC -G4-3000-840 | The identification of the Candidate List substance is sufficient to allow safe use of the article. | b8b2b9d5-3fb0-4f6c-9b70-371564b00897 |

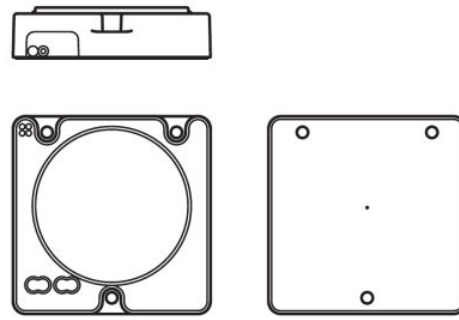
1) 120°

2)  $T_a$  (rated) = 25 °C

## Product family datasheet



643099\_PL-CUBE-AC-XX00-8X0-230V-G3



643105\_PL-CUBE-AC-XX00-8X0-230V-G3




### Application advice

For more detailed application information and graphics please see product datasheet.

### Sales and Technical Support

Sales and Technical Support [www.osram.com](http://www.osram.com)

### Download Data

| File  |  |
|---|--|
|  | User instruction<br>PrevaLED Cube-AC G4          |
|  | Certificates<br>PL ENEC 40031612 250723          |
|  | Certificates<br>PL CUBE AC G4 UKD 4329805 230821 |

### Ecodesign regulation information:

Separate control gear and light sources must be disposed of at certified disposal companies in accordance with Directive 2012/19/EU (WEEE) in the EU and with Waste Electrical and Electronic Equipment (WEEE) Regulations 2013 in the UK. For this purpose, collection points for recycling centres and take-back systems (CRSO) are available from retailers or private disposal companies, which accept separate control gear and light sources free of charge. In this way, raw materials are conserved and materials are recycled.

## Product family datasheet

---

### Logistical Data

| Product code  | Product description     | Packaging unit (Pieces/Unit) | Dimensions (length x width x height) | Volume               | Gross weight |
|---------------|-------------------------|------------------------------|--------------------------------------|----------------------|--------------|
| 4062172239455 | PL-CUBE-AC -G4-1100-830 | Shipping carton box<br>20    | 481 mm x 393 mm x 51 mm              | 9.64 dm <sup>3</sup> | 1478.00 g    |
| 4062172239479 | PL-CUBE-AC -G4-1100-840 | Shipping carton box<br>20    | 481 mm x 393 mm x 51 mm              | 9.64 dm <sup>3</sup> | 1478.00 g    |
| 4062172239493 | PL-CUBE-AC -G4-2000-830 | Shipping carton box<br>20    | 481 mm x 393 mm x 51 mm              | 9.64 dm <sup>3</sup> | 1478.00 g    |
| 4062172239516 | PL-CUBE-AC -G4-2000-840 | Shipping carton box<br>20    | 481 mm x 393 mm x 51 mm              | 9.64 dm <sup>3</sup> | 1478.00 g    |
| 4062172239530 | PL-CUBE-AC -G4-3000-830 | Shipping carton box<br>20    | 481 mm x 393 mm x 51 mm              | 9.64 dm <sup>3</sup> | 1478.00 g    |
| 4062172239554 | PL-CUBE-AC -G4-3000-840 | Shipping carton box<br>20    | 481 mm x 393 mm x 51 mm              | 9.64 dm <sup>3</sup> | 1478.00 g    |

The mentioned product code describes the smallest quantity unit which can be ordered. One shipping unit can contain one or more single products. When placing an order, for the quantity please enter single or multiples of a shipping unit.

---

### References / Links

- For more information on the multi-level guarantee and the terms and conditions of the guarantee visit <https://www.inventronics-light.com/multilevel-guarantees>

---

### Disclaimer

Subject to change without notice. Errors and omission excepted. Always make sure to use the most recent release.